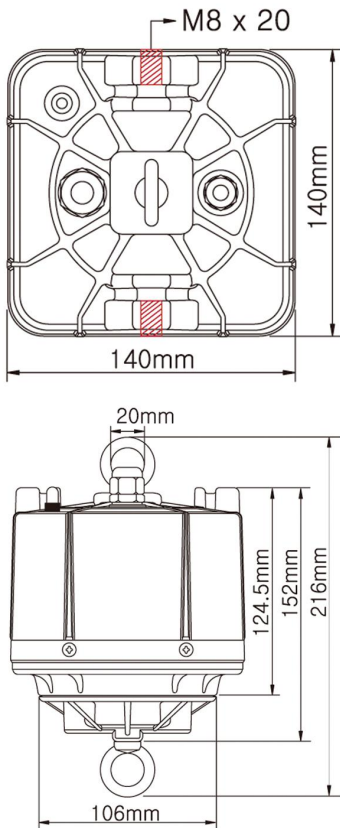


# COMPACT TYPE >CSI-12 & CDI-15



## SPECIFICATIONS

MODEL NUMBER	CSI-12	CDI-15
UNIT NET WEIGHT	3.1KG / 6.8LB	3.1KG / 6.8LB
MAX. LIFTING WEIGHT	5-10KG / 11-22LB	5-15KG / 11-33LB
MAX. LOWERING DISTANCE	15M / 49FT	10M / 32FT
MAX. CIRCUIT CAPACITY	16A	16A
NUMBER OF WIRE	1	2
WIRE OD (MM) SUS304 7x19	1.4	1.2
STAND BY CURRENT (POWER)	0.04A	0.04A
TYPE OF MOTOR	DC	DC