

CSI-12 / CSI-15

MAIN FEATURES

The Compact Type is the universal lifter for most conventional and common applications.

Compact Lifts have outstanding features for their size and weight for multipurpose applications.



SPECIFICATION FEATURES

Model Number	CSI-12	CSI-15
Dimensions (WxDxH) (mm)	140 x 140 x 216	140 x 140 x 216
Unit net weight	3.1 kg / 6.8 lb	3.1 kg / 6.8 lb
Lifting Weight	5 ~10 kg / 11~22 lb	5 ~15 kg / 11~33 lb
Maximum lowering distance	15 m / 49 ft	10 m / 32 ft
Number of wire	1	2
Wire O.D (mm) SUS304/7x19	1.4mm	1.2mm (x2)
Operating Voltage and frequency	100~277V ± 10% / 50~60Hz	100~277V ± 10% / 50~60Hz
Maximum rated current of connected equipment	16A	16A
Stand by current (power)	0.04A	0.04A
Lifter load current in operation	0.3A	0.3A
Type of motor	DC	DC
Ambient temperature	-15°C to 60°C	-15°C to 60°C
Lowering/ raising speed (m/min)	3.0 ~ 3.8	1.0 ~ 1.9
Protection category / class	IP54	IP54
Number of Circuits	Single	Single
Number of Contacts	2 + E	2 + E
Certification	Tested to CSA and UL Standards.	Tested to CSA and UL Standards.
Life Expectancy	25 Years	25 Years

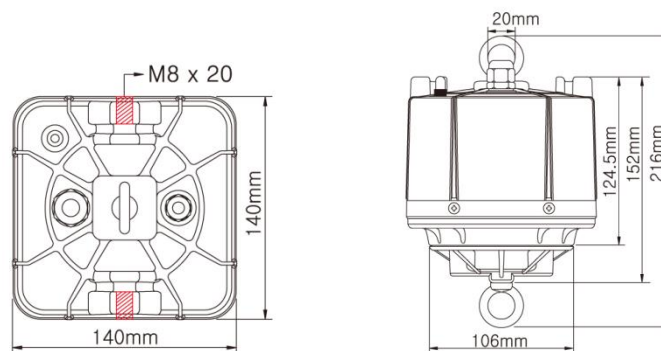
*Major patents are granted.

*Please contact local agent for custom orders.

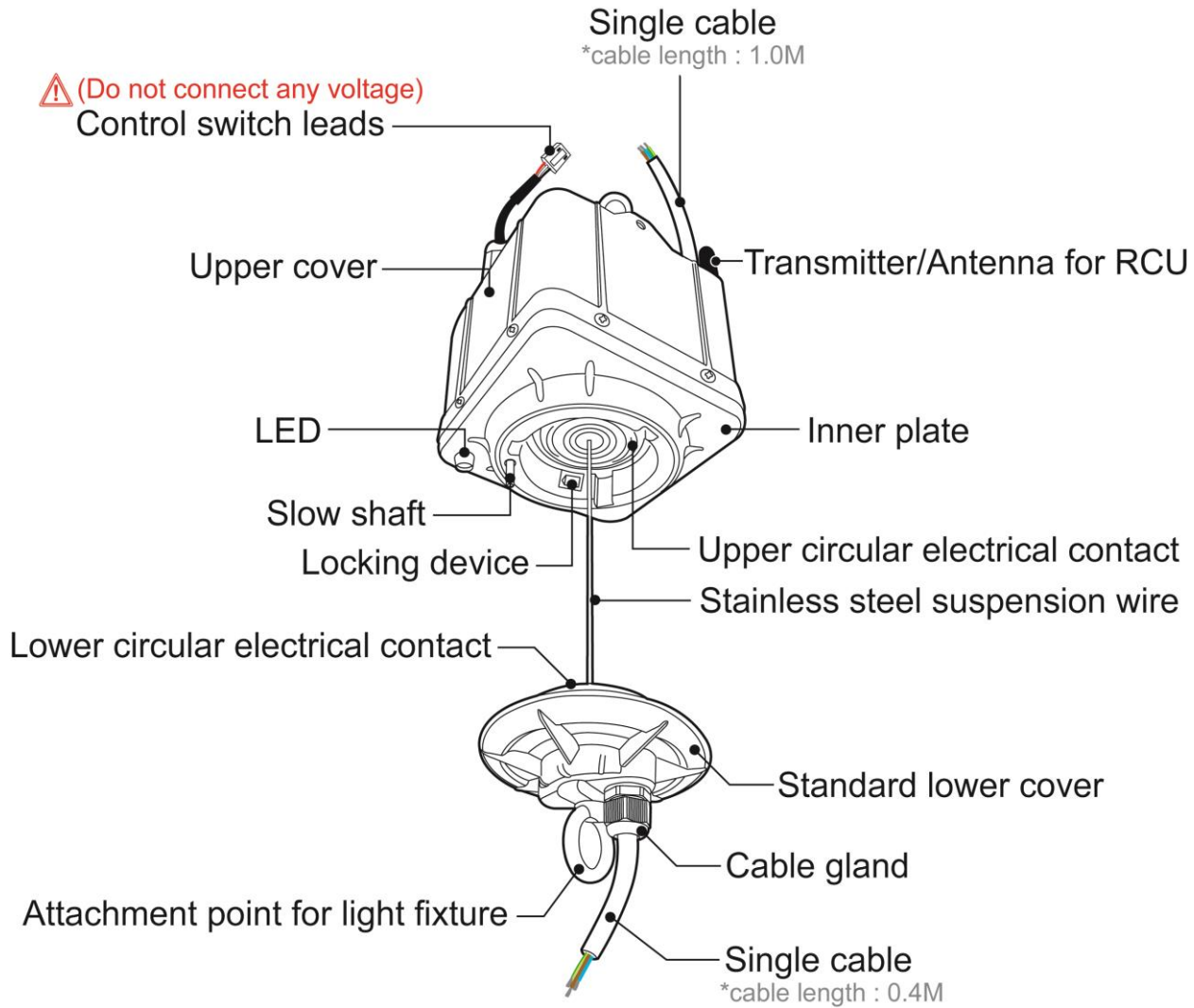
CERTIFICATION



DIMENSIONS (STANDARD LIFTER)



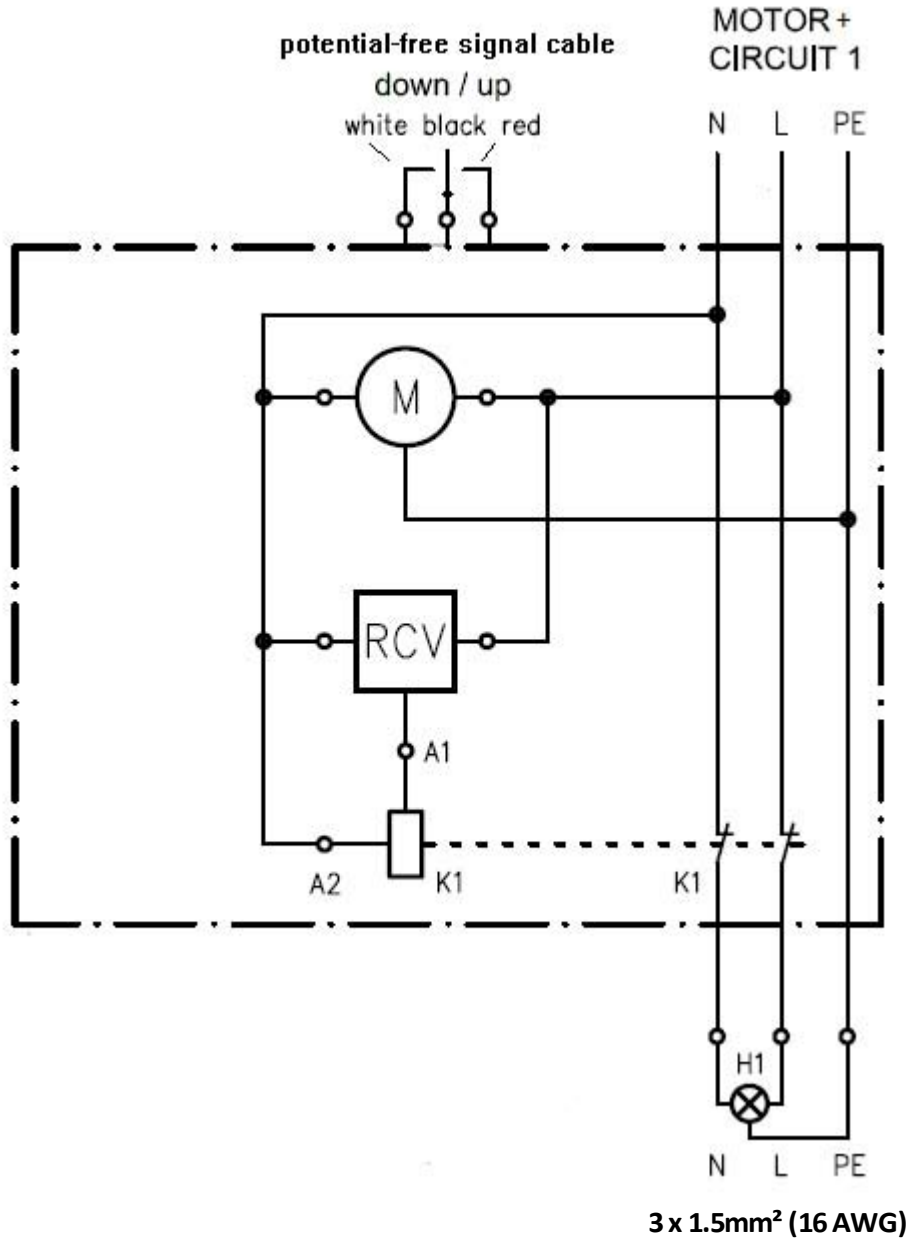
COMPACT TYPE



POWER CABLE MOTOR/LIGHT CABLE	3C x 1.5 ² mm	(16 AWG)	1m / 3.28ft	RoHS/LF
LIFT COUPLER LIGHT CABLE	3C x 1.5 ² mm	(16 AWG)	.40m / 1.31ft	RoHS/LF
MANUAL CONTROL CABLE	3C x 0.75 ² mm	(20AWG)	.20m / 0.65ft	R/B/W

*Please contact local agent for custom orders.

SCHEMATICS - CSI-12 / CDI-15



*Please contact local agent for custom orders.