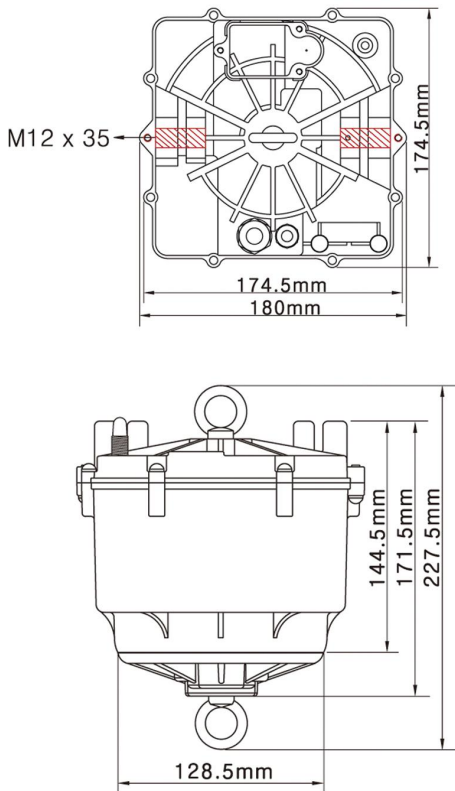


HOOK UP TYPE > HSI-18 & HDI-25



SPECIFICATIONS

MODEL NUMBER

HSI-18

HDI-25

UNIT NET WEIGHT

6.53KG / 14.3LB

6.62KG / 14.5LB

MAX. LIFTING WEIGHT

7-15KG / 15-33LB

10-25KG / 22-55LB

MAX. LOWERING DISTANCE

15M / 49FT

10M / 32FT

MAX. CIRCUIT CAPACITY

16A

16A

NUMBER OF WIRE

1

2

WIRE OD (MM) SUS304 7x19

2.0

1.6

STAND BY CURRENT (POWER)

0.1A

0.1A

TYPE OF MOTOR

AC

AC