

PSI-20 / PDI-35

MAIN FEATURES

The Heavy Duty Type has been designed to move heavy lighting units such as chandeliers in ballrooms, banqueting halls churches and large hotel facilities.

It is suitable for extended lifting distances up to 15m/49ft.



SPECIFICATION FEATURES

Model Number	PSI-20	PDI-35
Dimensions (WxDxH) (mm)	209 x 215 x 275.5	209 x 215 x 275.5
Unit net weight	8.19 kg / 18 lb	8.44 kg / 18 lb
Lifting Weight	7 ~20 kg / 15~44 lb	15 ~35 kg / 33~77 lb
Maximum lowering distance	15 m / 49 ft	10 m / 32 ft
Number of wire	1	2
Wire O.D (mm) SUS304/7x19	2.4mm	2.0mm (x2)
Operating Voltage and frequency	120~240V ± 10% / 50~60Hz	120~240V ± 10% / 50~60Hz
Maximum rated current of connected equipment	16A	16A
Stand by current (power)	0.1A	0.1A
Lifter load current in operation	0.8A	0.8A
Type of motor	AC	AC
Ambient temperature	-15°C to 60°C	-15°C to 60°C
Lowering/ raising speed (m/min)	4.9 ~ 5.2	2.0 ~ 2.4
Protection category / class	IP54	IP54
Number of Circuits	Single	Single
Number of Contacts	2 + E	2 + E
Certification	Tested to CSA and UL Standards.	Tested to CSA and UL Standards.
Life Expectancy	25 Years	25 Years

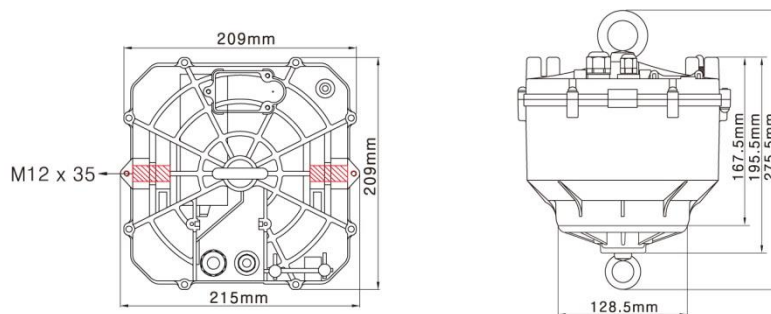
*Major patents are granted.

*Please contact local agent for custom orders.

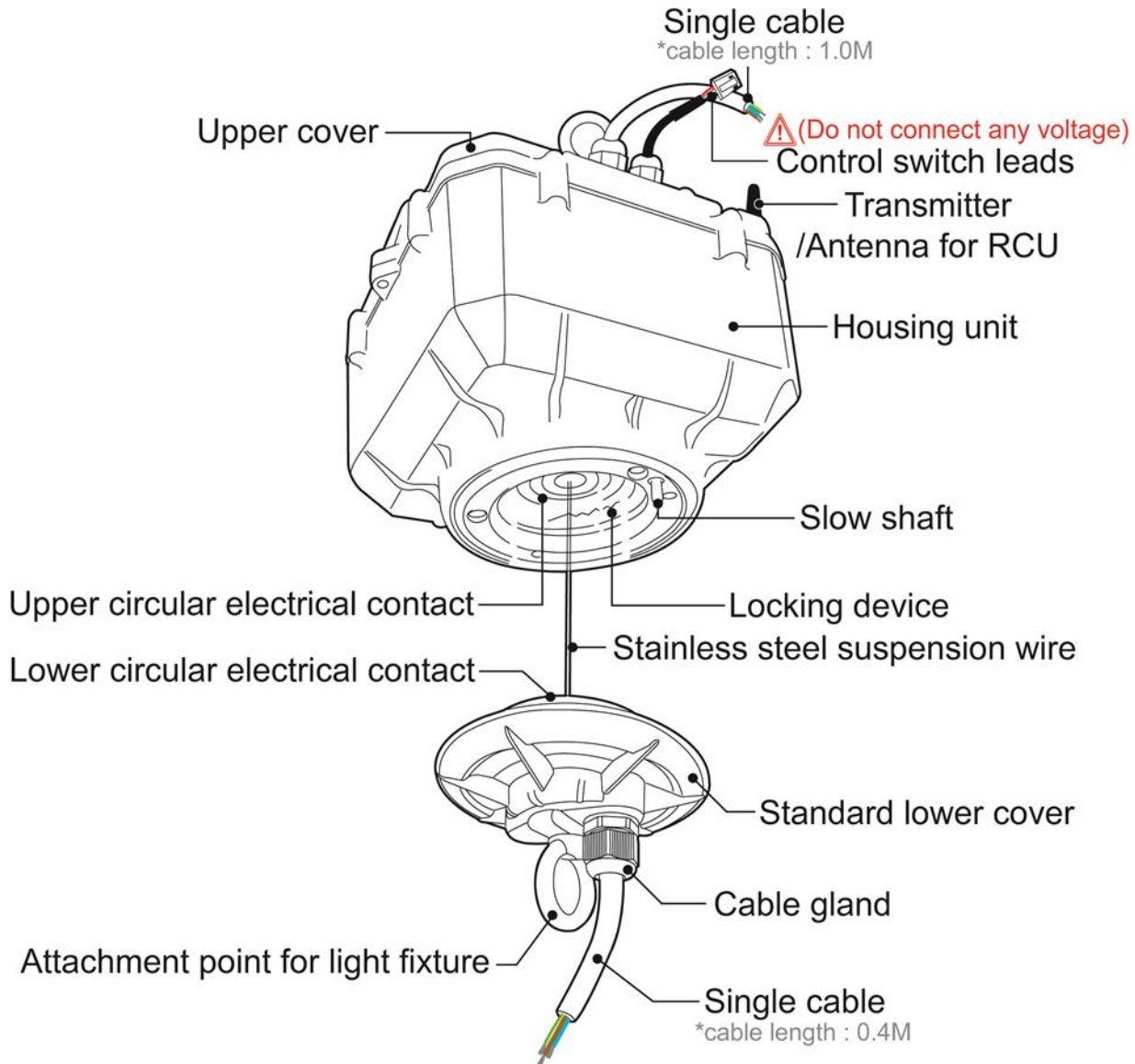
CERTIFICATION



DIMENSIONS (STANDARD LIFTER)



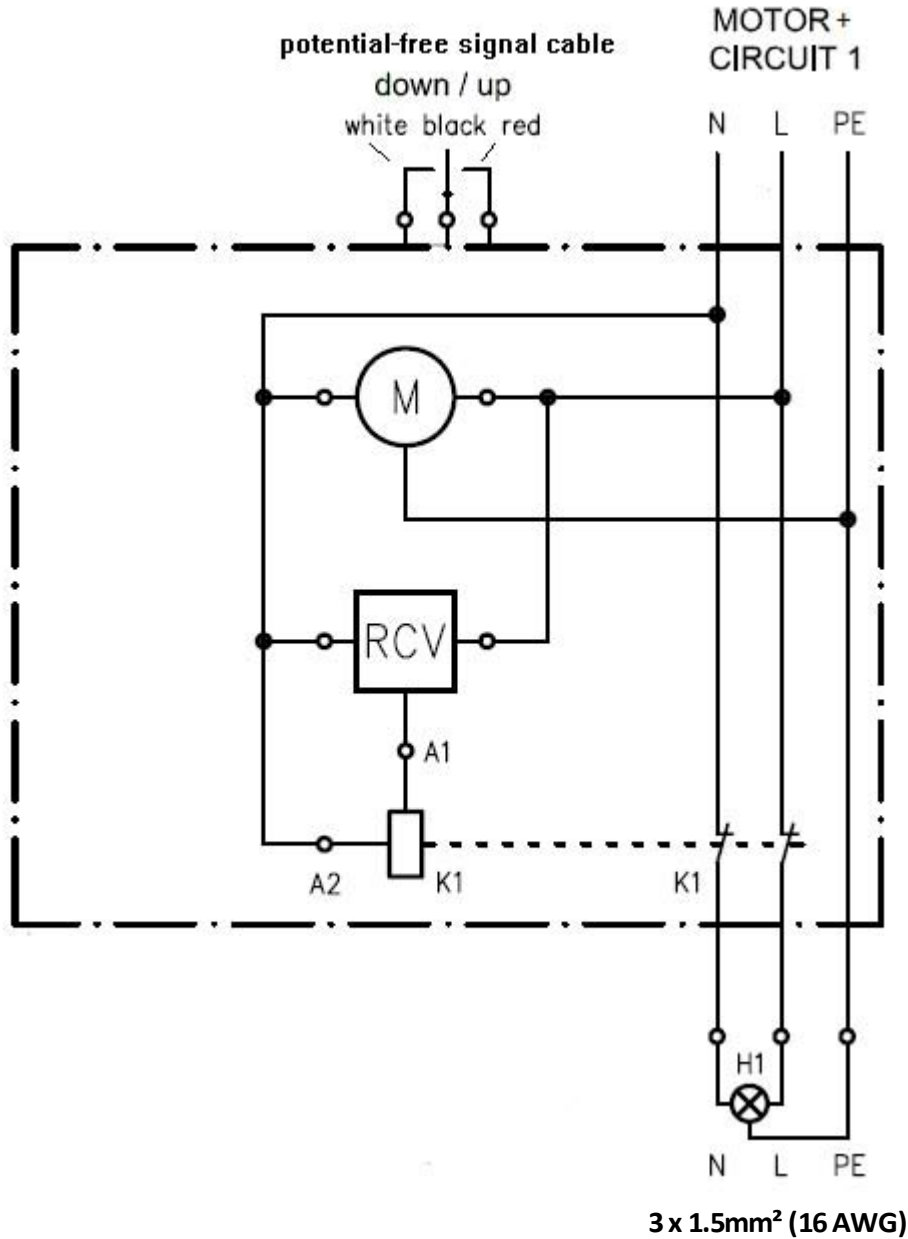
HEAVY DUTY TYPE



POWER CABLE MOTOR/LIGHT CABLE	3C x 1.5 ² mm	(16 AWG)	1m / 3.28ft	RoHS/LF
LIFT COUPLER LIGHT CABLE	3C x 1.5 ² mm	(16 AWG)	.40m / 1.31ft	RoHS/LF
MANUAL CONTROL CABLE	3C x 0.75 ² mm	(20AWG)	.20m / 0.65ft	R/B/W

*Please contact local agent for custom orders.

SCHEMATICS - PSI-20 / PDI-35



*Please contact local agent for custom orders.