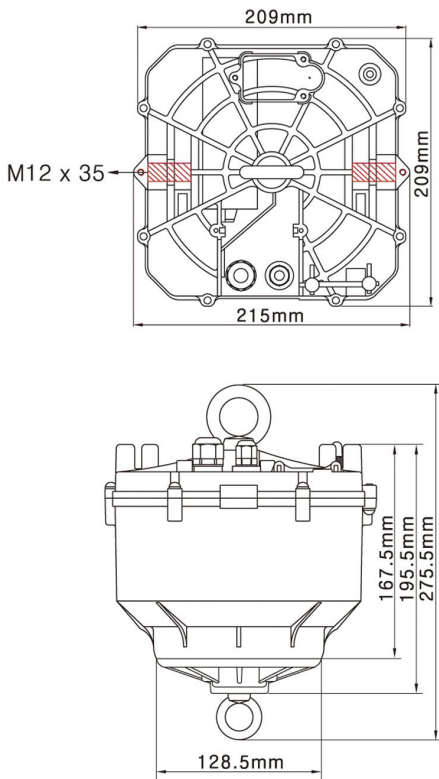


# HEAVY DUTY TYPE > PSI-20/30 & PDI-35/50



## SPECIFICATIONS

MODEL NUMBER	PSI-20	PSI-30	PDI-35	PDI-50
UNIT NET WEIGHT	8.19KG / 18LB	8.19KG / 18LB	8.44KG / 18LB	8.44KG / 18LB
MAX. LIFTING WEIGHT	7-20KG / 15-44LB	12-30KG / 26-66LB	15-35KG / 33-77LB	15-50KG / 33-110LB
MAX. LOWERING DISTANCE	15M / 49FT	15M / 49FT	10M / 32FT	10M / 32FT
MAX. CIRCUIT CAPACITY	16A	16A	16A	16A
NUMBER OF WIRE	1	1	2	2
WIRE OD (MM) SUS304 7X19	2.4	2.4	2.0	2.0
STAND BY CURRENT (POWER)	0.1A	0.15A	0.1A	0.15A
TYPE OF MOTOR	AC	BLDC	AC	BLDC